



CONSTRUCTION
INDUSTRY COUNCIL
建造業議會

Asbestos Abatement Worker Skilled Trade Test Mock Practical Test Paper

此文件關於清拆石棉大工工藝測試考題。如有需要索取此文件的中文版本，請致電 2100 9232 與工藝測試中心
聯絡。

Disclaimer

No part of this material may be reproduced or transmitted in any form or any means without the written permission of the CIC. Whilst reasonable efforts have been made to ensure the accuracy of the information contained in this material, the CIC nevertheless would encourage readers to seek appropriate independent advice from their professional advisers where possible and readers should not treat or rely on this material as a substitute for such professional advice for taking any relevant actions.

Enquiries

Enquiries on this Material may be made to the Trade Test Centre at:

95, Yue Kwong Road
Aberdeen
Hong Kong

Tel: (852) 2100 9232
Fax: (852) 2100 9249
Email: enquiry@hkcic.org
Website: www.hkcic.org

© 2015 Construction Industry Council.

Trade Test Paper

Trade : Asbestos Abatement Worker
Skill Level : Skilled Worker

Question : Complete the following work in the specified location:

1. Seal up a 6 m² enclosed area with transparent plastic sheeting over a wood structure in the workshop (after completion it should join closely with another enclosed area), check and record any fault or missing item in the whole enclosed area, install ventilation equipment and conduct leaking test with smoke, correctly put on protective clothing and wear appropriate respirator, enter the enclosed area (Shop Drawing 1);

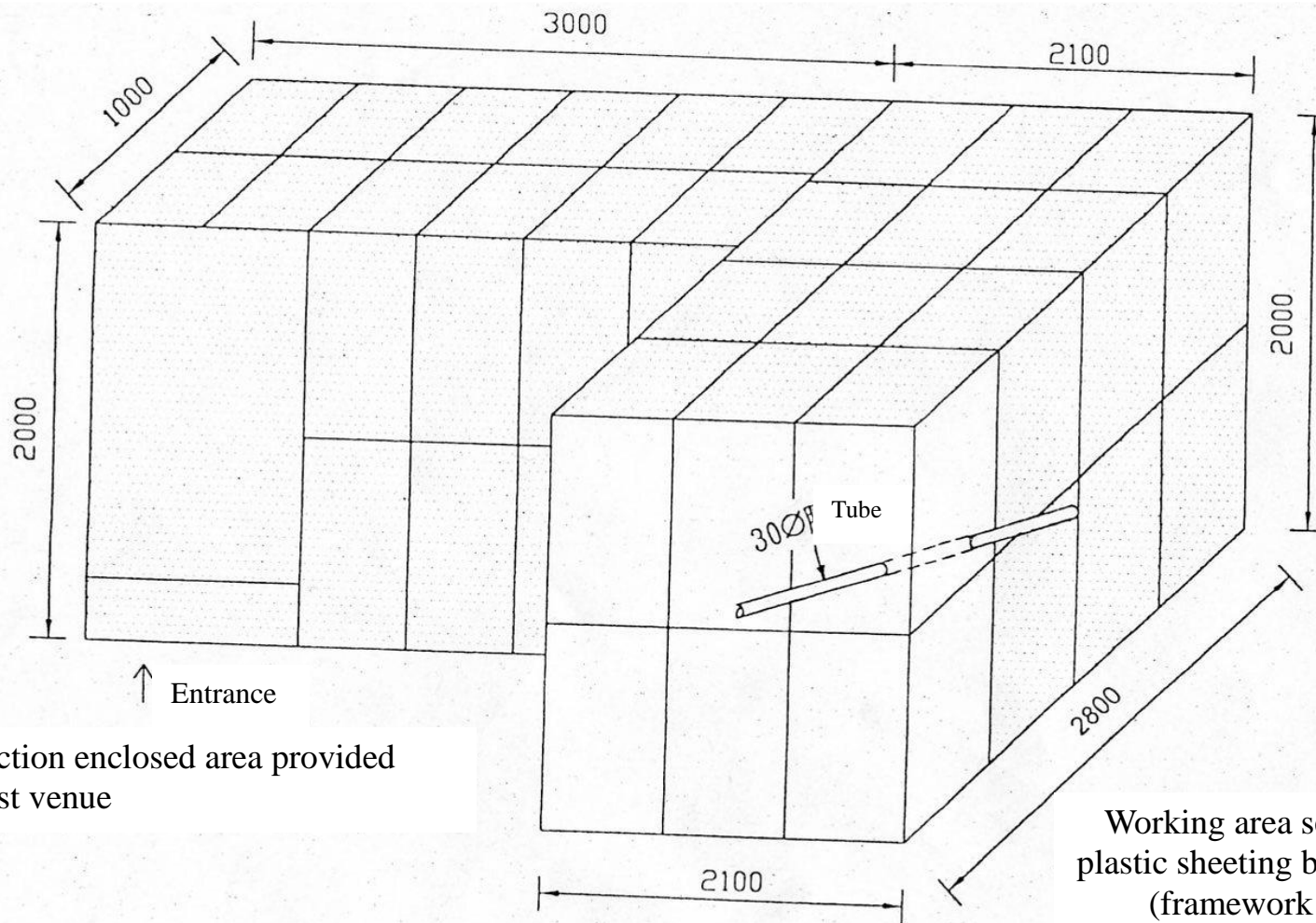
2. First protect all articles in the enclosed area, then use correct methods to dismantle the following articles simulated to contain asbestos, finally pack all dismantled articles in the correct manner:
 - (i) A 30 mm diameter x 1.8 m long boiler pipe work insulation lagging (Shop Drawing 2);
 - (ii) Asbestos infill wrapping up two electric cords (Shop Drawing 3);
 - (iii) A 310 mm x 930 mm (3 pieces) of vinyl flooring containing asbestos (Shop Drawing 4);
 - (iv) Four 600 mm x 600 mm false ceiling containing asbestos (Shop Drawing 4); and
 - (v) An electric main switch containing asbestos insulation material (Shop Drawing 5).

3. Leave the enclosed working area, simulate body washing actions in the third section and handle the personal protective clothing just taken off;

4. Climb up a bamboo scaffold with correct posture, dismantle a 0.45 m x 1.8 m simulated asbestos tiles (Shop Drawing 6) and pack all dismantled articles in the correct manner;
5. Use the correct method to dismantle and clear up the transparent plastic sheeting which was used by the candidate to seal up the enclosed area in Item 1.

Test time : 6 hours (Not including lunch hour)

- Notes :
- (1) The candidate must read the "Points to Note" in the Annex before starting;
 - (2) If the candidate did not complete safety measures during the test, he/she will be deemed to have failed the test; and
 - (3) There are 6 pages in the question, all test items will have a full mark of 100 and 60 marks or above will be considered as pass.

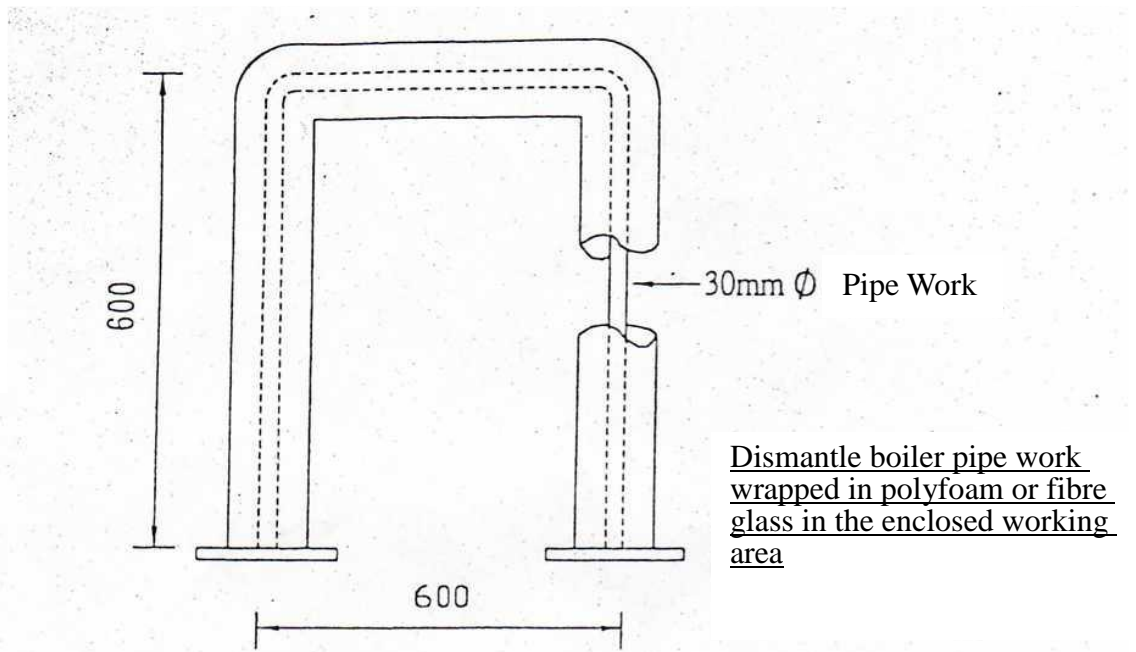


3-section enclosed area provided
at test venue

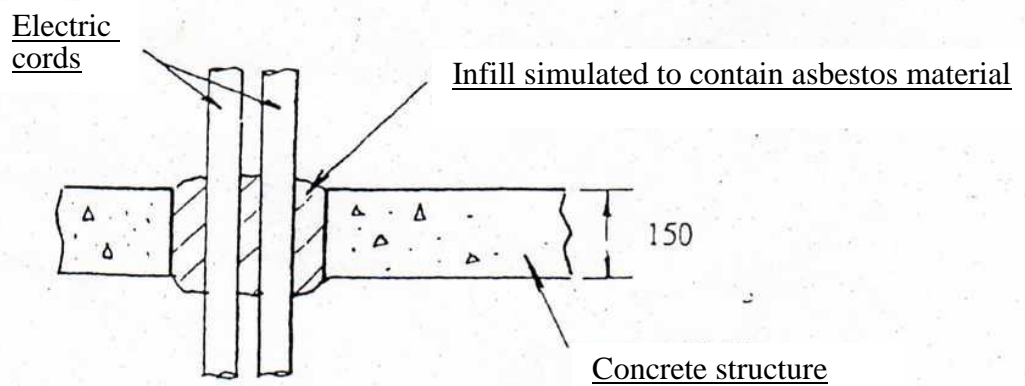
Working area sealed up with
plastic sheeting by the candidate
(framework provided)

Shop Drawing 1

Measurements in mm
Drawing not in proportion

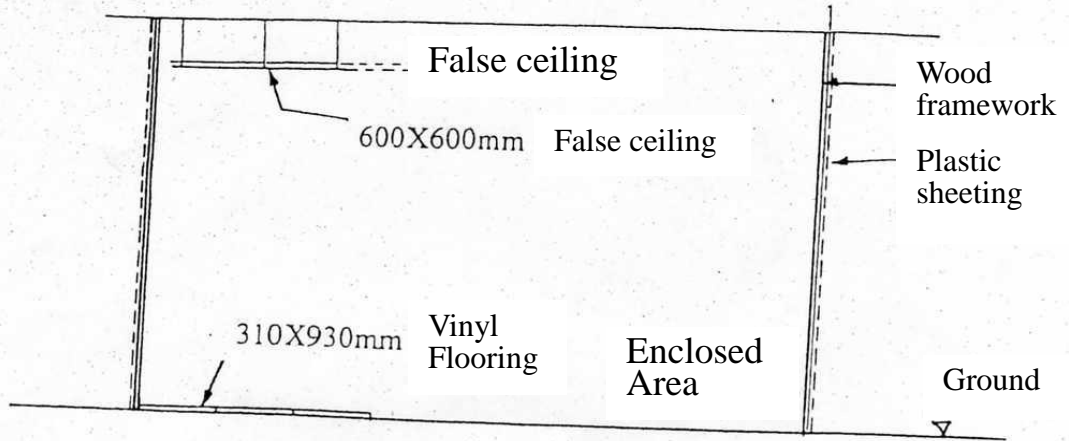


Shop Drawing 2



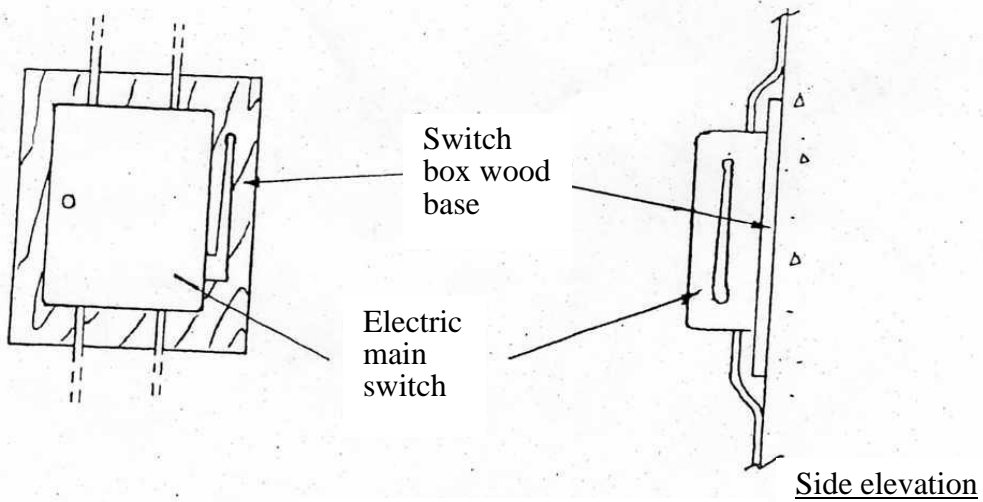
Measurements in mm
 Drawing not in proportion

Shop Drawing 3



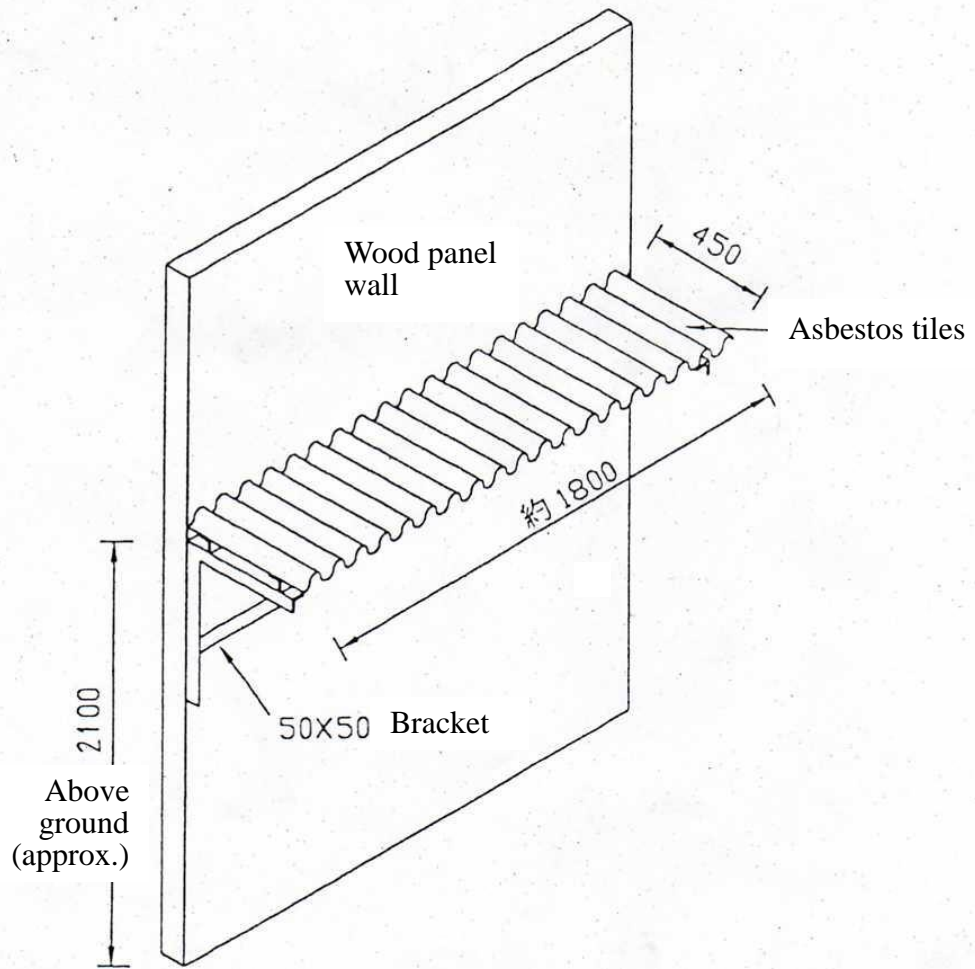
Drawing not in proportion

Shop Drawing 4



Drawing not in proportion

Shop Drawing 5



Shop Drawing 6

Measurements in mm
Drawing not in proportion

Notes to Candidates:

1. Candidates should read the test papers carefully and ask the invigilator for any queries.
2. Candidates should study the drawings and specifications attached to the test paper, if any, before the test begins.
3. Candidates should carry out the test according to test papers, working drawings and specifications provided.
4. Candidates shall bring their own safety shoes, other safety equipment will be provided by trade testing centre. Candidates must take all necessary safety precautions to ensure work safety.
5. All tools and materials required by the test will be provided by trade testing centre, candidates should check and ensure their adequacy and quality. Candidates shall use the tools and materials properly based on trade practice. All the tools must be returned to trade testing centre after the test. The candidates may ask the invigilator for any problems.
6. Candidates are required to handle and move the tools and materials for use in the test, and to carry out associated works.
7. Invigilator will take record photos periodically during the test.
8. Candidates are not allowed to take any photo or video with cameras or mobile phones.
9. Candidates are not allowed to use their mobile phones during the trade tests, except for emergency situation.
10. The marking scheme is based on the following criteria :

- a. Understanding of drawing and specification
 - b. Preparation works before commencement of test
 - c. Working procedures
 - d. Accuracy and quality of works
 - e. Progress of works
 - f. Proper handling and use of materials
 - g. Proper use of tools and equipment
 - h. Safety precautions
 - i. Considerate of other trades
 - j. House keeping after completion of test
11. All candidates must stop when time is up.
12. Candidates are required to return the test paper to invigilator after the test.
13. Offering bribe to invigilator is an offence in law and trade testing centre will report to the ICAC for any such case.

In the event that the candidate fails to take any necessary safety precautions and / or works in any dangerous situations, he / she will be assessed failed