



CONSTRUCTION  
INDUSTRY COUNCIL  
建造業議會

# **Construction Plant Mechanic Intermediate Trade Test Mock Practical Test Paper**

此文件關於建造機械技工工藝測試考題。如有需要索取此文件的中文版本，請致電 2100 9000 與香港建造業工藝測試中心聯絡。

## **Disclaimer**

*No part of this material may be reproduced or transmitted in any form or any means without the written permission of the CIC. Whilst reasonable efforts have been made to ensure the accuracy of the information contained in this material, the CIC nevertheless would encourage readers to seek appropriate independent advice from their professional advisers where possible and readers should not treat or rely on this material as a substitute for such professional advice for taking any relevant actions.*

## **Enquiries**

Enquiries on this Material may be made to the Hong Kong Construction Industry Trade Testing Centre at:

95, Yue Kwong Road  
Aberdeen  
Hong Kong

Tel: (852) 2100 9000  
Fax: (852) 2100 9090  
Email: [enquiry@cic.hk](mailto:enquiry@cic.hk)  
Website: [www.cic.hk](http://www.cic.hk)

© 2020 Construction Industry Council.

Intermediate Trade Test Paper

**Post** : Construction Plant Mechanic

**Grade** : Semi-skilled Trade Test

**Test Content** : According to the attached works drawing, complete the following items at designated location:

- |  | <u>Mark</u> |
|--|-------------|
| (1) Refer to the attached drawing, mark, saw and file a 5mm thick m.s. plate to form the required triangular shape.  | 20          |
| (2) Refer to the attached drawing, using proper electric current of the welding machine, connect the both sides of m.s. plate with continuous fillet weld.                       | 25          |
| (3) Set up and check oxy-acetylene cutting device properly, adjust the pressure and cut the work piece according to the marked lines (each 100mm long). (time allowed: 20 mins.) | 20          |
| (4) Cut a $\varnothing$ 20mm GI pipe to required length, thread the cut pipe, and install it to a given coupling.  | 20          |
| (5) Use lifting gear to sling and lift up concrete beams. (time allowed: 15 mins.)   | 15          |

**Duration** : 3 hours

**Notes** : (1) candidate will be assessed as failed, if he/she conducts the test with no safety precautions ;

(2) The test paper consists of 2 pages. Total marks is 100. Passing mark is 60.

**Intermediate Trade Test for Construction Plant Mechanic**

**Works Drawing**

Figure (1):

Mark, saw and file a 5-mm thick m.s. plate in a triangular shape as shown below:

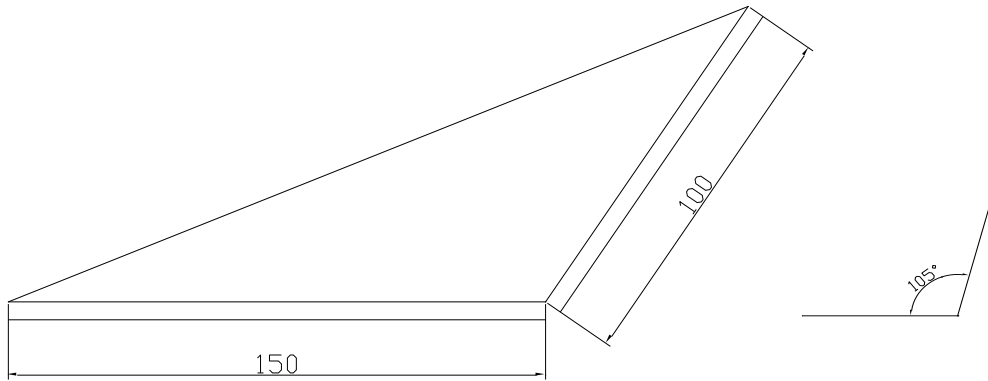
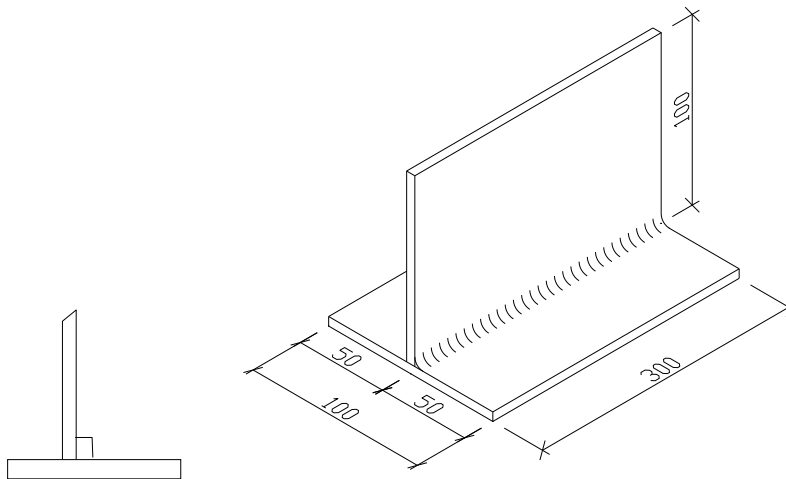


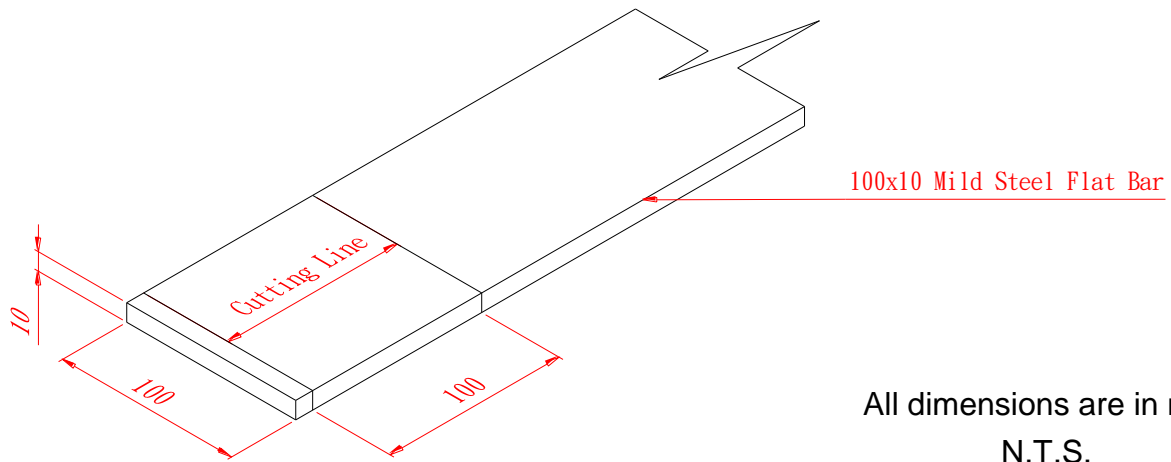
Figure (2):

Fillet weld on the both sides of m.s. plate.



Drawing is not to scale All  
Dimensions are in mm

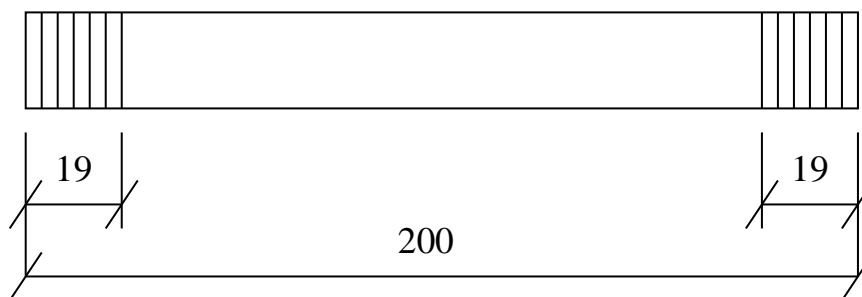
Figure (3):



Specifications & Requirements

1. Cut the work piece along the lines drawn on the plate
2. Candidate is required to work on floor.
3. Tolerance of kerf's straightness shall not exceed 3mm.
4. Width of kerf shall not exceed 4mm.
5. Perpendicular of kerf shall not exceed 2.5mm.
6. The slag attached on the bottom of kerf shall be removed.

Figure (4):



Drawing is not to scale  
All Dimensions are in mm

Notes to Candidates :

1. Candidates should read the test papers carefully and ask the invigilator for any queries.
2. Candidates should study the drawings and specifications attached to test papers, if any, before the test begins.
3. Candidates should carry out the test according to test papers, working drawings and specifications provided.
4. Candidates shall bring their own safety shoes, other safety equipment will be provided by trade testing centre. Candidates must take all necessary safety precautions to ensure work safety.
5. All tools and materials required by the test will be provided by trade testing centre, candidates should check and ensure their adequacy and quality. Candidates shall use the tools and materials properly based on trade practice. All the tools must be returned to trade testing centre after the test. The candidates may ask the invigilator for any problems.
6. Candidates are required to handle and move the tools and materials for use in the test, and to carry out associated works.
7. Invigilator will take record photos periodically during the test.
8. Candidates are not allowed to take any photo or video with cameras or mobile phones.
9. Candidates are not allowed to use their mobile phones during the trade tests, except for emergency situation.
10. The marking scheme is based on the following criteria :
  - a) Understanding of drawing and specification

- b) Preparation works before commencement of test
- c) Working procedures
- d) Accuracy and quality of works
- e) Progress of works
- f) Proper handling and use of materials
- g) Proper use of tools and equipment
- h) Safety precautions
- i) Considerate of other trades
- j) Housekeeping after completion of test

11. All candidates must stop when time is up.
12. Candidates are required to return the test paper to invigilator after the test.
13. Offering bribe to invigilator is an offence in law and trade testing centre will report to the ICAC for any such case.

**In the event that the candidate fails to take any necessary safety precautions and / or works in any dangerous situations, he / she will be assessed failed**