



CONSTRUCTION  
INDUSTRY COUNCIL  
建造業議會

# **Marble Worker (Dry Fixing ) Intermediate Trade Test Mock Practical Test Paper**

此文件關於雲石工（乾掛）工藝測試考題。如有需要索取此文件的中文版本，請致電 2100 9000 與香港建造業工藝測試中心聯絡。

## **Disclaimer**

*No part of this material may be reproduced or transmitted in any form or any means without the written permission of the CIC. Whilst reasonable efforts have been made to ensure the accuracy of the information contained in this material, the CIC nevertheless would encourage readers to seek appropriate independent advice from their professional advisers where possible and readers should not treat or rely on this material as a substitute for such professional advice for taking any relevant actions.*

## **Enquiries**

Enquiries on this Material may be made to the Hong Kong Construction Industry Trade Testing Centre at:

95, Yue Kwong Road  
Aberdeen  
Hong Kong

Tel: (852) 2100 9000  
Fax: (852) 2100 9090  
Email: [enquiry@cic.hk](mailto:enquiry@cic.hk)  
Website: [www.cic.hk](http://www.cic.hk)

## Intermediate Trade Test

Job Title: Marble Worker (Dry Fixing)

Grade: Semi-Skilled Worker

Test Topic: Complete the following work at the designated location:

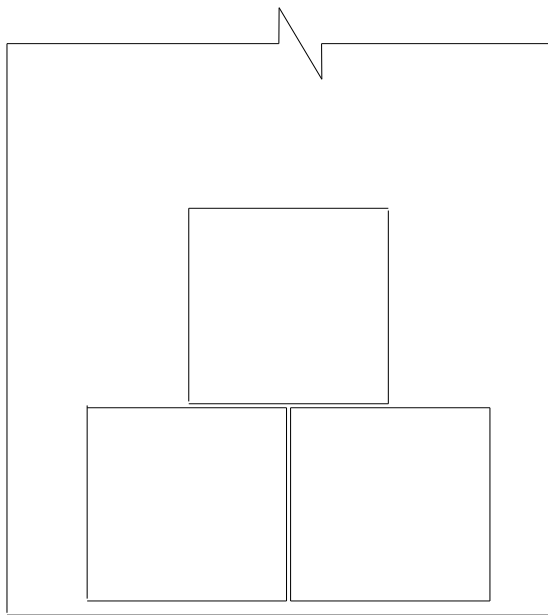
1. In accordance with the working plan, use butterfly and angle brackets to install two pieces of 600x600mm base block; and
  
2. In accordance with the working plan, use butterfly and angle brackets to install one piece of 600x600mm mural marble.
  
3. Stimulate installation of M10 anchor bolt and use torque wrenches to conduct required tests in the process.

Testing Time: 3 Hours

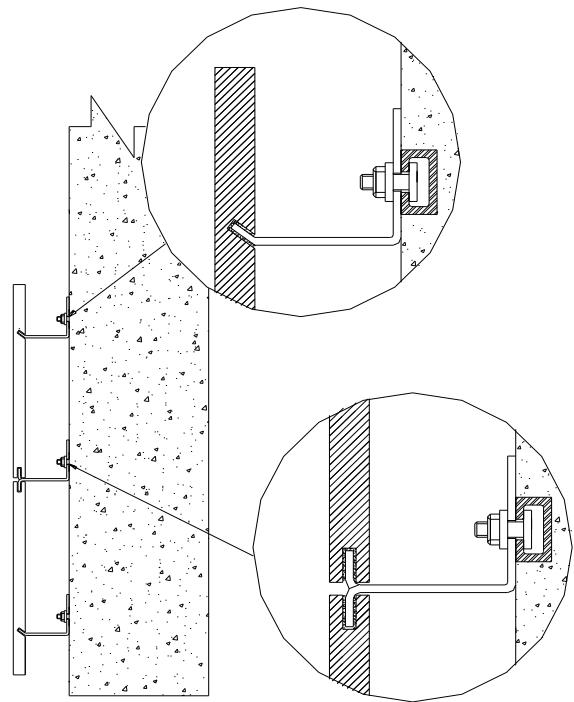
Notes:

- (1) Before commencement of work, candidates must read the attached "Notice to Candidates".
  
- (2) A candidate will be deemed as failed if he/she does not take appropriate safety measures; and
  
- (3) The test paper consists of 3 pages with 100 points being the full score, and 60 and plus the passing one.

Working Plan for Marble Worker (Dry Fixing)



Front view plan



Side view plan

This plan is not based upon the actual ratio;  
the measurements are in millimetres.

Notes to Candidates :

1. Candidates should read the test papers carefully and ask the invigilator for any queries.
2. Candidates should study the drawings and specifications attached to test papers, if any, before the test begins.
3. Candidates should carry out the test according to test papers, working drawings and specifications provided.
4. Candidates shall bring their own safety shoes, other safety equipment will be provided by trade testing centre. Candidates must take all necessary safety precautions to ensure work safety.
5. All tools and materials required by the test will be provided by trade testing centre, candidates should check and ensure their adequacy and quality. Candidates shall use the tools and materials properly based on trade practice. All the tools must be returned to trade testing centre after the test. The candidates may ask the invigilator for any problems.
6. Candidates are required to handle and move the tools and materials for use in the test, and to carry out associated works.
7. Invigilator will take record photos periodically during the test.
8. Candidates are not allowed to take any photo or video with cameras or mobile phones.
9. Candidates are not allowed to use their mobile phones during the trade tests, except for emergency situation.
10. The marking scheme is based on the following criteria :

- a) Understanding of drawing and specification
- b) Preparation works before commencement of test
- c) Working procedures
- d) Accuracy and quality of works
- e) Progress of works
- f) Proper handling and use of materials
- g) Proper use of tools and equipment
- h) Safety precautions
- i) Considerate of other trades
- j) Housekeeping after completion of test

- 11. All candidates must stop when time is up.
- 12. Candidates are required to return the test paper to invigilator after the test.
- 13. Offering bribe to invigilator is an offence in law and trade testing centre will report to the ICAC for any such case.

**In the event that the candidate fails to take any necessary safety precautions and / or works in any dangerous situations, he / she will be assessed failed**