



CONSTRUCTION
INDUSTRY COUNCIL
建造業議會

Curtain Wall Installer Trade Test Mock Practical Paper

此文件關於幕牆工大工工藝測試考題。如有需要索取此文件的中文版本，請致電 2100 9000 與香港建造業工藝測試中心聯絡。

Disclaimer

No part of this material may be reproduced or transmitted in any form or any means without the written permission of the CIC. Whilst reasonable efforts have been made to ensure the accuracy of the information contained in this material, the CIC nevertheless would encourage readers to seek appropriate independent advice from their professional advisers where possible and readers should not treat or rely on this material as a substitute for such professional advice for taking any relevant actions.

Enquiries

Enquiries on this Material may be made to the Hong Kong Construction Industry Trade Testing Centre at:

95, Yue Kwong Road
Aberdeen
Hong Kong

Tel: (852) 2100 9000

Fax: (852) 2100 9090

Email: enquiry@cic.hk

Website: www.cic.hk

© 2020 Construction Industry Council.

Trade Test for Curtain Wall Installer

- Trade : Curtain Wall Installer
- Grade : Skilled Worker
- Test Content : Complete the following tasks at designated location in accordance with the attached working drawings 1 to 4 :
1. Adjust the fixing angles in accordance with the setting out markings provided in the working booth;
 2. To fix the aluminum angle onto steel frame by bolts and nuts, torque wrench should be properly used with required torque value in order to tighten the bolts;
 3. To install the mullions and transoms on the existing structure in accordance with the drawing 1;
 4. To install the glass and aluminum curtain wall panels with suitable tools in accordance with the drawings 2 and 3;
 5. To install the aluminum claddings on the existing beam with suitable materials in accordance with the drawing 4;
 6. To seal the surrounding of glass and aluminum curtain walls by using tape and silicone sealant.

Duration : 6 hours (Excluding lunch time)

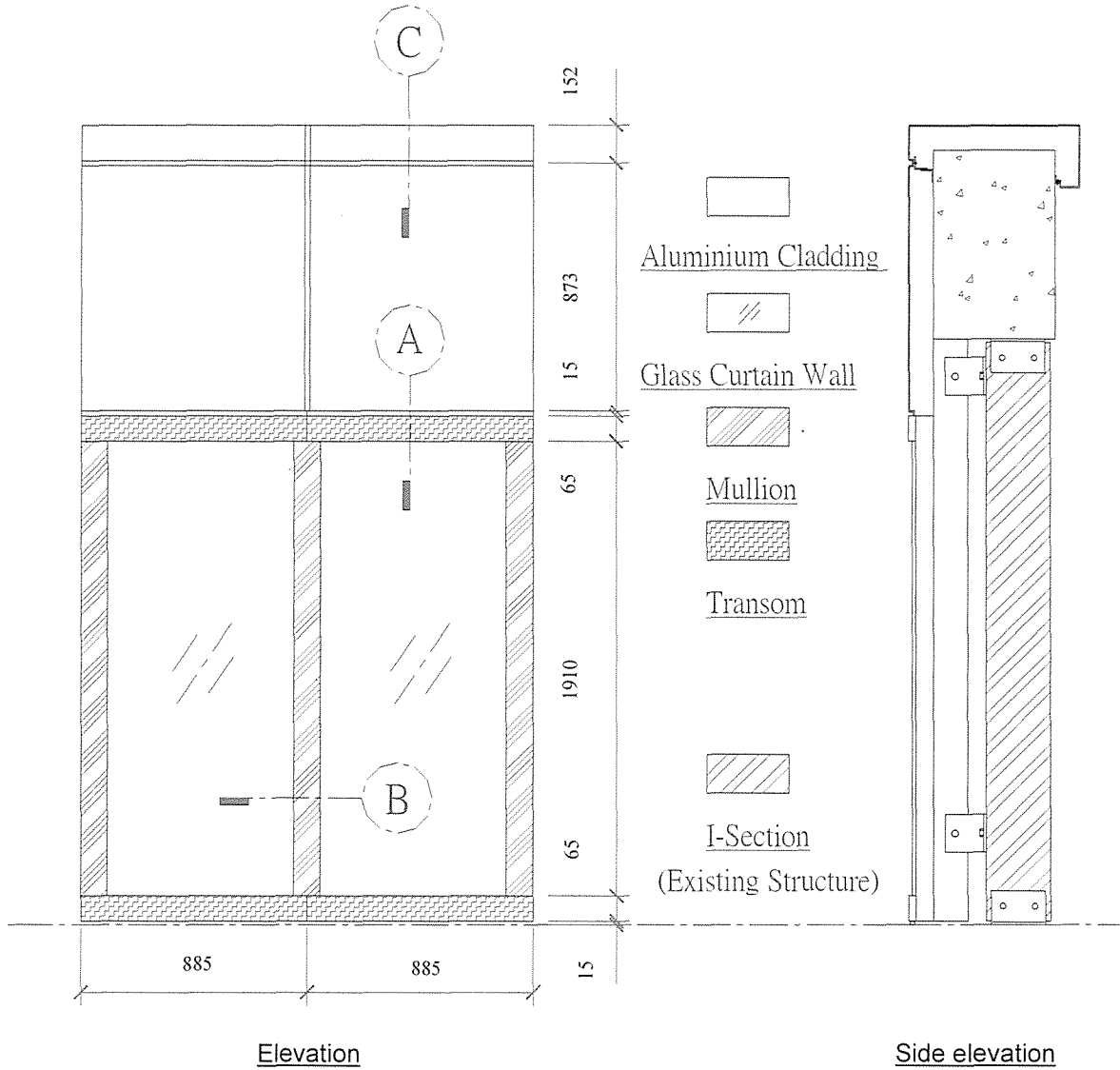
- Notes :
- (1) Candidate should read the attached "Notes to candidate" before commencement of work.
 - (2) Candidate will be assessed as fail if he / she conducts the test without necessary safety precautions and / or conduct works in any dangerous situations.
 - (3) There are 6 pages. Total score is 100. Passing mark is 60.

Notes to Candidate

1. Candidates should read the test papers carefully and ask the invigilator for any queries.
2. Candidates should study the drawings and specifications attached to the test paper, if any, before the test begins.
3. Candidates should carry out the test according to test papers, working drawings and specifications provided.
4. Candidates shall bring their own safety shoes, other safety equipment will be provided by trade testing centre. Candidates must take all necessary safety precautions to ensure work safety.
5. All tools and materials required by the test will be provided by trade testing centre, candidates should check and ensure their adequacy and quality. Candidates shall use the tools and materials properly based on trade practice. All the tools must be returned to trade testing centre after the test. The candidates may ask the invigilator for any problems.
6. Candidates are required to handle and move the tools and materials for use in the test, and to carry out associated works.
7. Invigilator will take record photos periodically during the test.
8. Candidates are not allowed to take any photo or video with cameras or mobile phones.
9. Candidates are not allowed to use their mobile phones during the trade tests, except for emergency situation.
10. The marking scheme is based on the following criteria :
 - a. Understanding of drawing and specification
 - b. Preparation works before commencement of test
 - c. Working procedures
 - d. Accuracy and quality of works
 - e. Progress of works
 - f. Proper handling and use of materials
 - g. Proper use of tools and equipment
 - h. Safety precautions
 - i. Considerate of other trades
 - j. House keeping after completion of test
11. All candidates must stop when time is up.
12. Candidates are required to return the test paper to invigilator after the test.
13. Offering bribe to invigilator is an offence in law and trade testing centre will report to the ICAC for any such case.

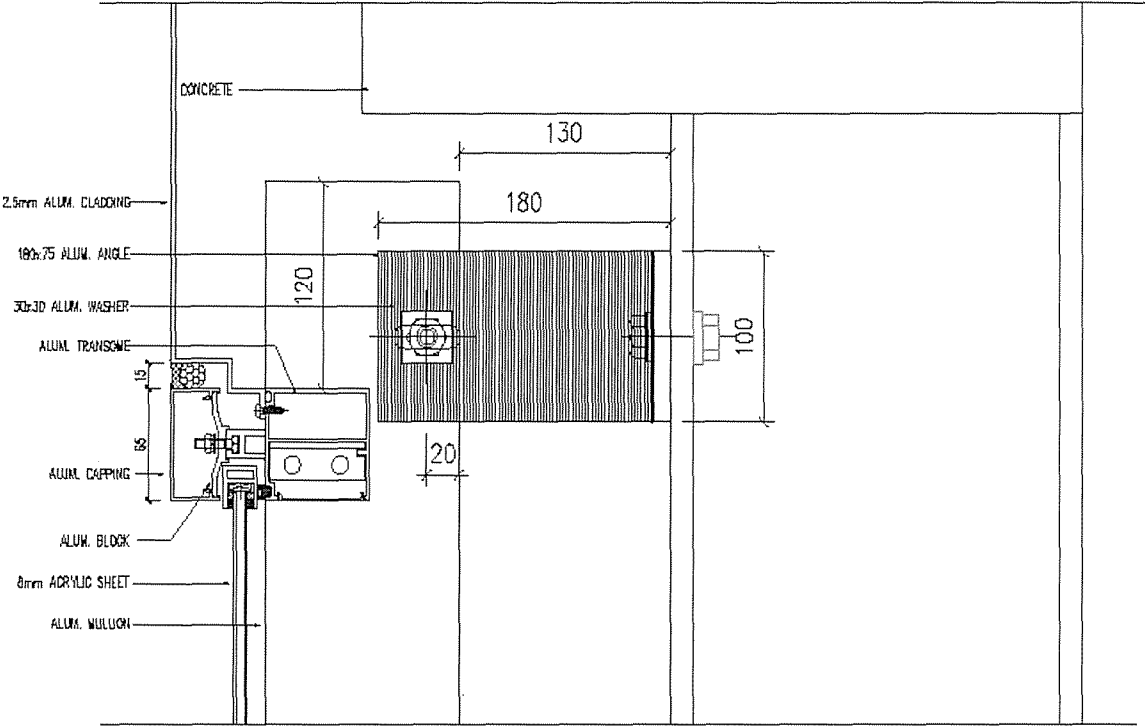
In the event that the candidate fails to take any necessary safety precautions and / or works in any dangerous situations, he / she will be assessed failed

Curtain Wall Installer Trade Test Working Drawing 1



1. Not to scale.
2. All dimensions are in mm.
3. Detailed diagram may be provided by the invigilator when required.

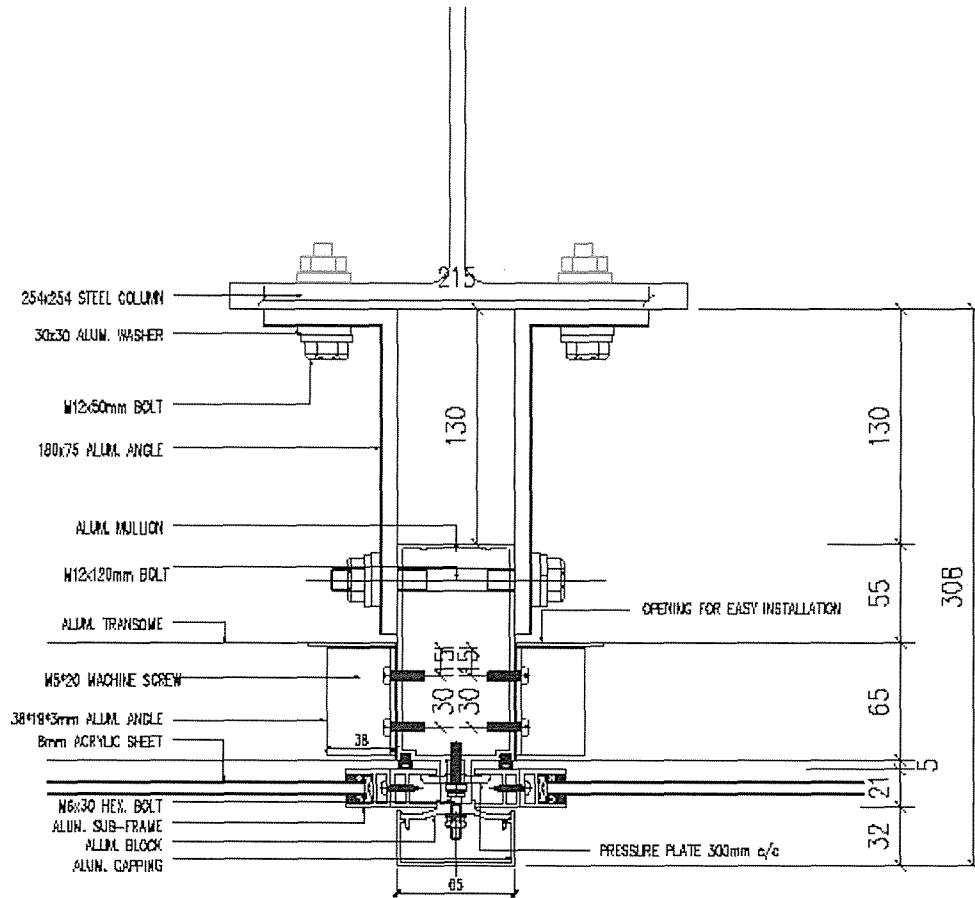
Curtain Wall Installer Trade Test Working Drawing 2



SECTION A

- 1. Not to scale.
- 2. All dimensions are in mm.
- 3. Detailed diagram may be provided by the invigilator when required.

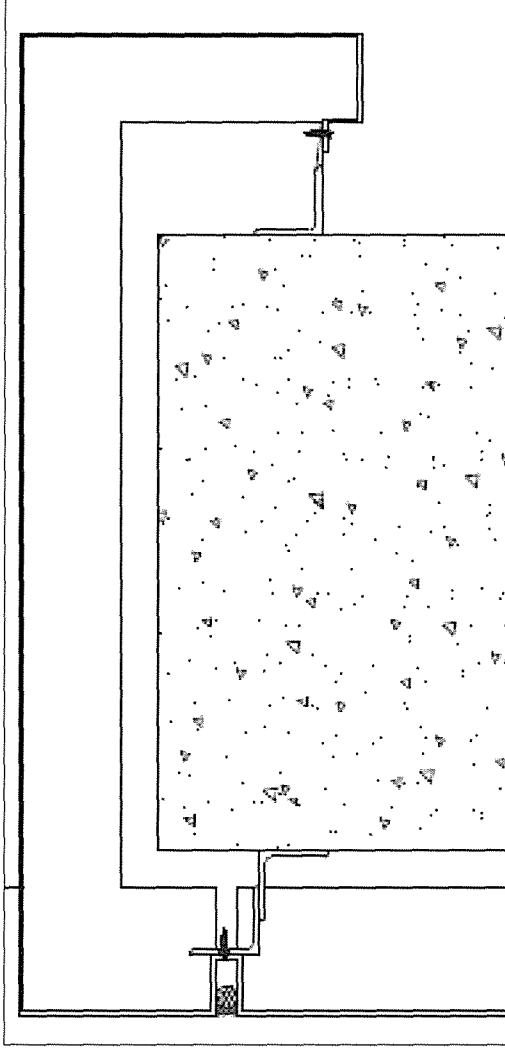
Curtain Wall Installer Trade Test Working Drawing 3



SECTION B

1. Not to scale.
2. All dimensions are in mm.
3. Detailed diagram may be provided by the invigilator when required.

Curtain Wall Installer Trade Test Working Drawing 4



SECTION C

- 1. Not to scale.
- 2. All dimensions are in mm.
- 3. Detailed diagram may be provided by the invigilator when required.